

T4-PC-1 CONNECTOR

PRODUCT OVERVIEW

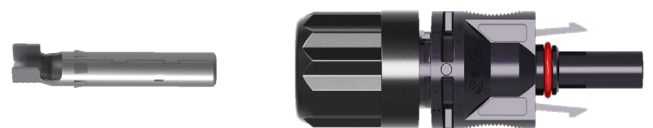
T4-PC-1 connectors use high quality materials that guarantee long-term reliability. Lower contact resistance and higher current transfer capability ensure high product efficiency. T4-PC-1 connectors have IP68 water-proof rating and can be used in a wide operating temperature range from -40 °C to 90 °C.

CERTIFICATIONS

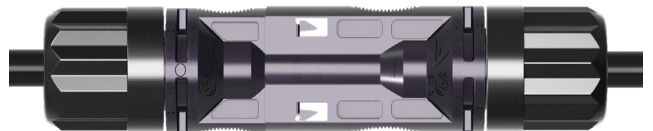
IEC 62852: TÜV-Rheinland / CE
 UL 6703: CSA
 Compliance with RoHS, REACH and NEC
 (no locking sleeve required)



Male connector



Female connector



ELECTRICAL DATA

Rated Voltage	IEC 1000 V DC & UL 1500 V DC
Rated Current	32 A for 4 mm ² / 12 AWG / 10 AWG
Contact Resistance	≤ 0.25 mΩ
Pollution Degree	Class II
Protection Class	Class II
Protection Degree	IP68 (when mated)
Fire Resistance	UL 94-V0
Temperature Range	- 40 °C ~ + 90 °C
Rated Impulse Voltage	12 kV

MECHANICAL DATA

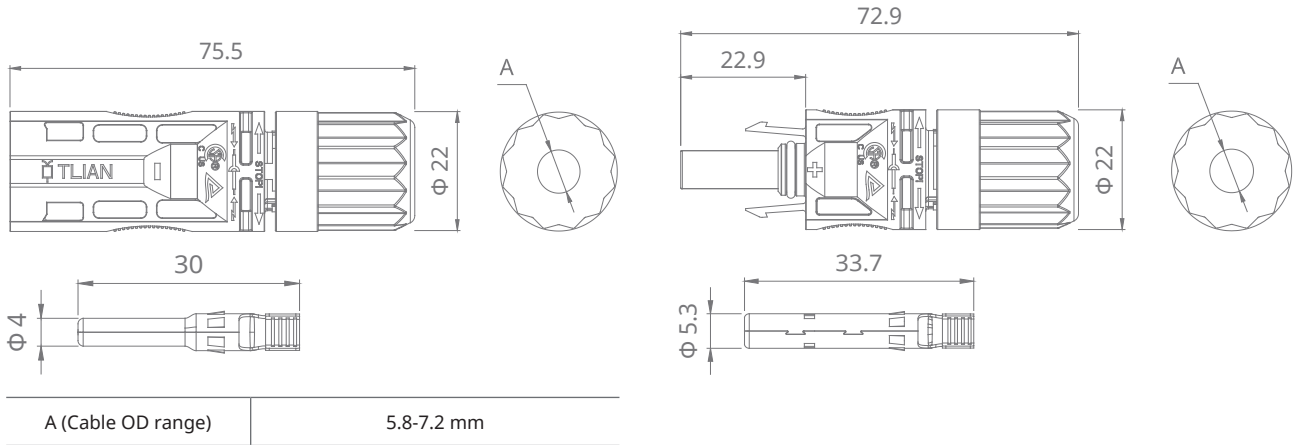
Cable Range	IEC: 4 mm ² UL: 10 AWG ~12 AWG
Connector System	Φ 4.0 mm
Contact Material	Copper, Tin-plated
Type of Termination	Crimping
Locking System (UL)	Locking type

TLIAN (CHANGSHU) CO., LTD.

Guanghuahuan Road No.6, Changshu, China, 0086-512-52971585

A subsidiary of Canadian Solar Inc., 545 Speedvale Avenue West, Guelph, Ontario N1K 1E6, Canada, www.canadiansolar.com

ENGINEERING DRAWING (mm)



PRODUCT CATALOG

Product Name	Description	Packaging Units
T4-PC-1	T4 Connector 4 mm ² / 12-10 AWG UL 1500 V / IEC 1000 V	100 pairs or 500 pairs
T4-DT	T4 Disconnect Tools	100 units or 500 units
T4PC1P-PV2aN	T4-PC-1 (+) to PV2a (-) Jumper Cable IEC 1000 V	320 units
T4PC1N-PV2aP	T4-PC-1 (-) to PV2a (+) Jumper Cable IEC 1000 V	320 units
T4PC1P-PV2bN	T4-PC-1 (+) to PV2b (-) Jumper Cable UL / IEC 1000 V	320 units
T4PC1N-PV2bP	T4-PC-1(-) to PV2b (+) Jumper Cable UL / IEC 1000 V	320 units
T4PC1P-MC4N	T4-PC-1 (+) to MC4 (-) Jumper Cable UL / IEC 1000 V	320 units
T4PC1N-MC4P	T4-PC-1 (-) to MC4 (+) Jumper Cable UL / IEC 1000 V	320 units
T4PC1P-H4N	T4-PC-1 (+) to H4 (-) Jumper Cable UL / IEC 1000 V	320 units
T4PC1N-H4P	T4-PC-1 (-) to H4 (+) Jumper Cable UL / IEC 1000 V	320 units
T4-TOOLKIT	T4 Field Installation Toolkit	1 unit
T4-EC	T4 Connector End Cap	800 units or 4000 units

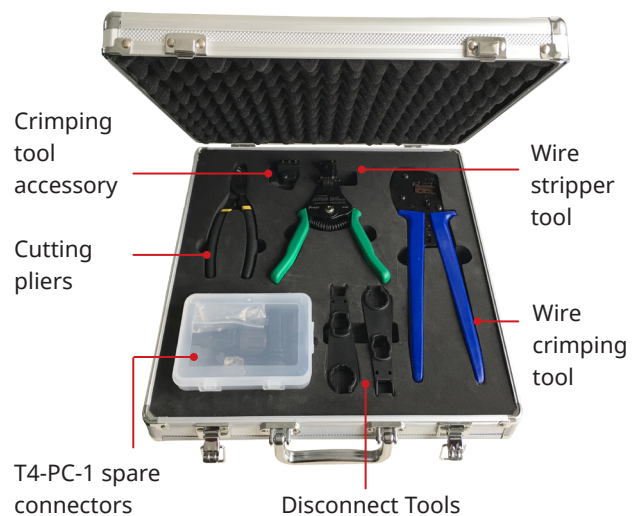
FIELD TOOLKIT

PARTS INCLUDED

Wire stripper tool	1 piece
Wire crimping tool	1 piece
Cutting pliers	1 piece
Disconnect Tools	2 pieces
Crimping Tool Accessory	1 piece
T4-PC-1 Spare Connectors	2 pairs
Installation Manual	1 copy

TOOLKIT SIZE

Size	350×350×75 mm (13.8×13.8×2.9 in)
Weight	3 kg



The specifications and features described in this datasheet may deviate slightly and are not guaranteed. Due to on-going innovation, research and product enhancement, Tlian reserves the right to make any adjustment to the information described herein at any time without notice. Please always obtain the most recent version of the datasheet which shall be duly incorporated into the binding contract made by the parties governing all transactions related to the purchase and sale of the products described herein.

The connector must be isolated and disconnected from the power supply during the assembly or disassembly process. Do not disconnect under load. The use of a PV cable is recommended. Avoid any grease or oils contacting the body of the T4 PV connector. Please read the safety and installation instructions before using the connector.